

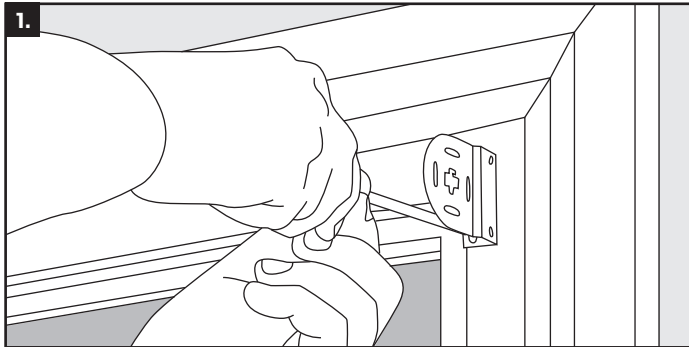
Cov-A-Blind™

Fitting Instructions

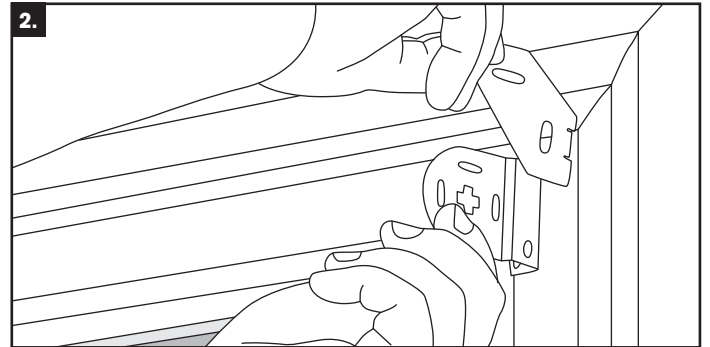
COV-A-BLIND™

how to...

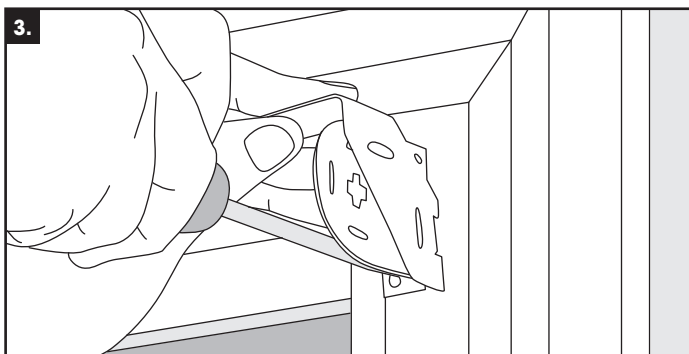
fit to your outside recess...



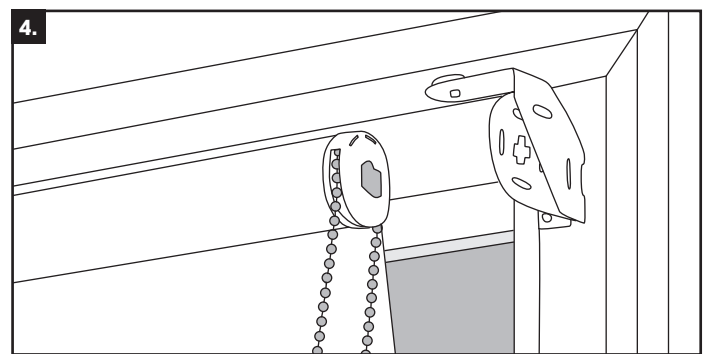
Step 1. Remove your existing roller blind from the brackets then loosen slightly the fixings on your brackets.



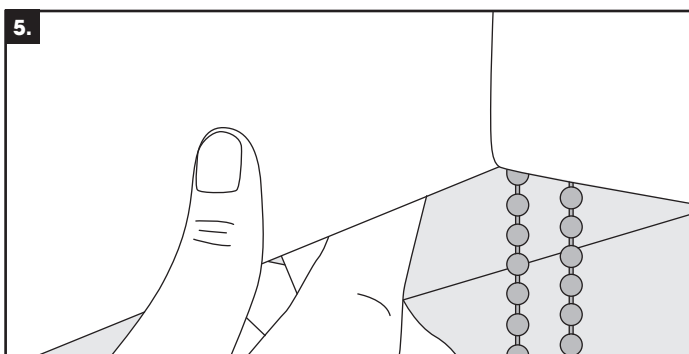
Step 2. Slide your new Cov-A-Blind™ bracket behind the existing bracket.



Step 3. Re-tighten your existing fittings ensuring they are held secure.



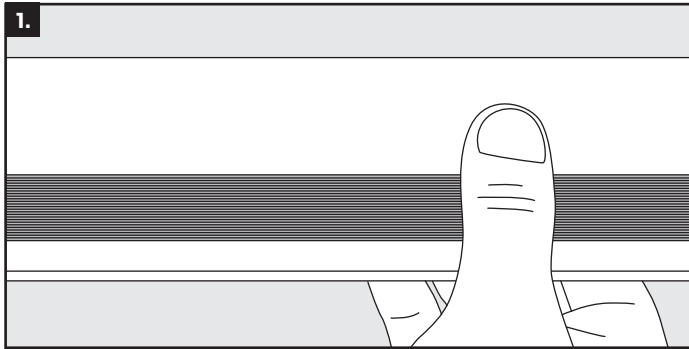
Step 4. Re-fit your roller blind back onto the brackets.



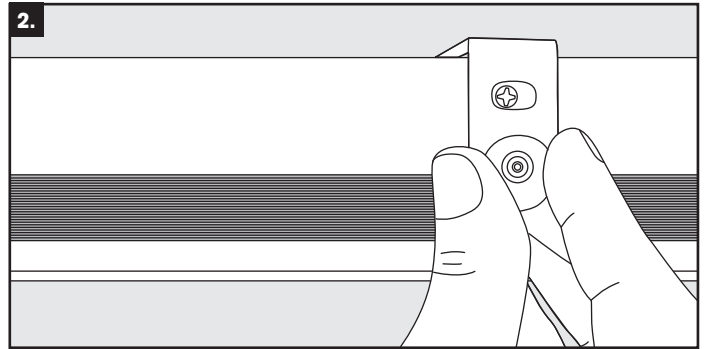
Step 5. Fit your pelmet over the top to finish installation.

how to...

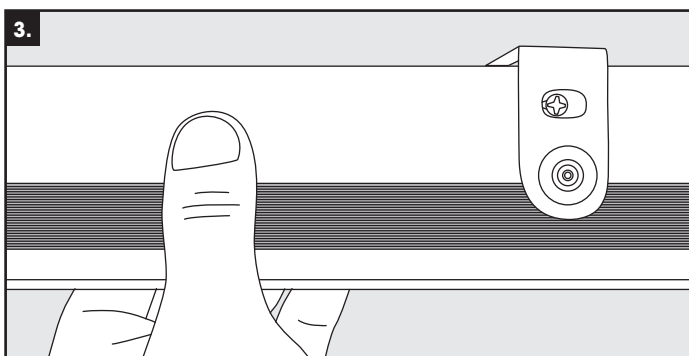
fit to your inside recess...



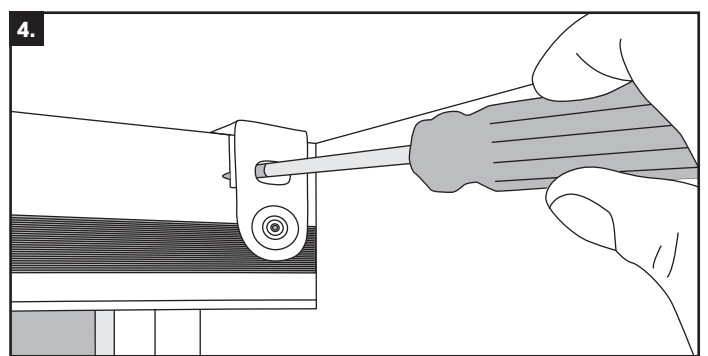
Step 1. Remove your blind from the fixings on one side.



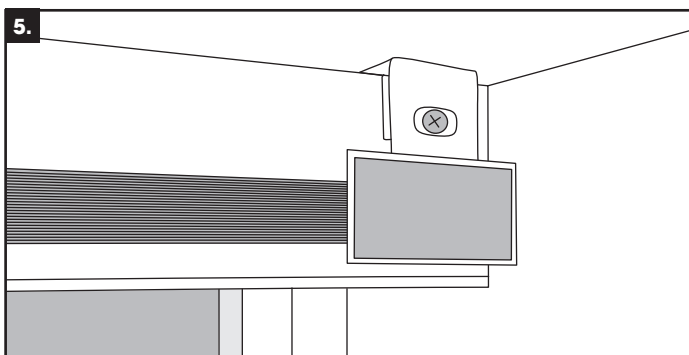
Step 2. Slide your new Cov-A-Blind™ bracket above your existing headrail.



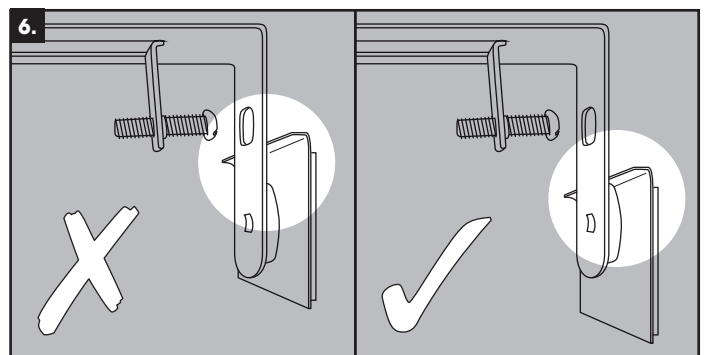
Step 3. Re-attach your headrail to the existing brackets.



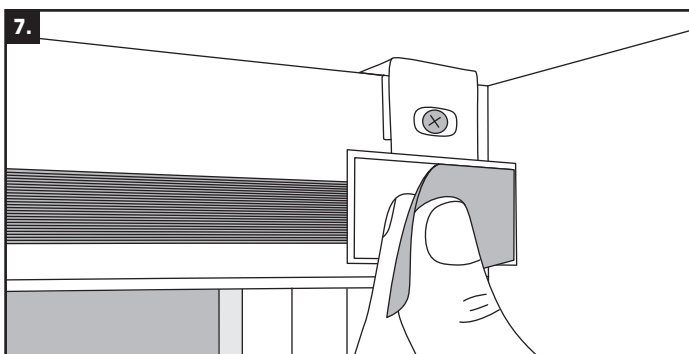
Step 4. Tighten the M4 screw so that the end sits flush with the front of your headrail. Repeat this process for all other brackets.



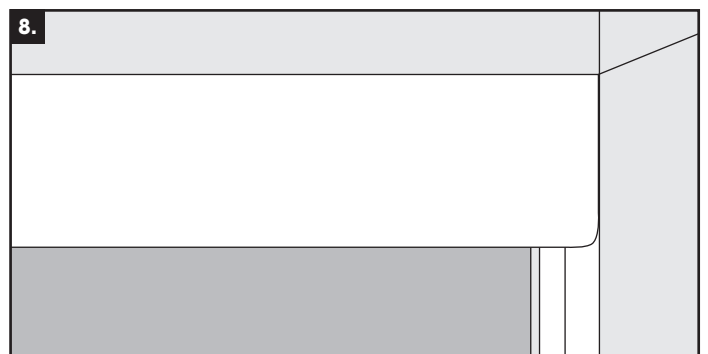
Step 5. Attach the Cov-A-Blind lipped metal plate to the magnet on the bracket ensuring the lip hooks securely onto the round magnetic plate.



Step 6. Before fitting the fascia ensure the lip on the metal Cov-A-Blind plate has hooked onto the magnet disc on the bracket.



Step 7. Remove the cover from the self adhesive pad.



Step 8. Fit the fascia to the lipped metal plate ensuring you don't move its position on the bracket whilst making sure its fitted flush inside the recess, this will ensure the Cov-A-Blind bracket cannot move once positioned correctly.