

how to...

HALLIS HUDSON

**DUAL RISE**  
for PROFESSIONAL

## Professional Dual Rise

by Marc Brown, Product Manager.

I've produced this step by step guide to assembling a Professional Dual Rise Roman Blind from components, to create a child safe by design system with your choice of customised touches such as chain, cord pull and wand options.

### Tools you will need

- Pencil
- Tape Measure
- Hacksaw
- T10 Torx Bit or Allen Key
- Cutting Pliers if using a metal chain
- Small Pick Tool

**01** Mark off on the headrail and cut it down ensuring it is 1.8cm shorter than the overall width of your blind.

**02** Cut down the axle rod and ensure it is 10.8cm shorter than the overall width of your blind.

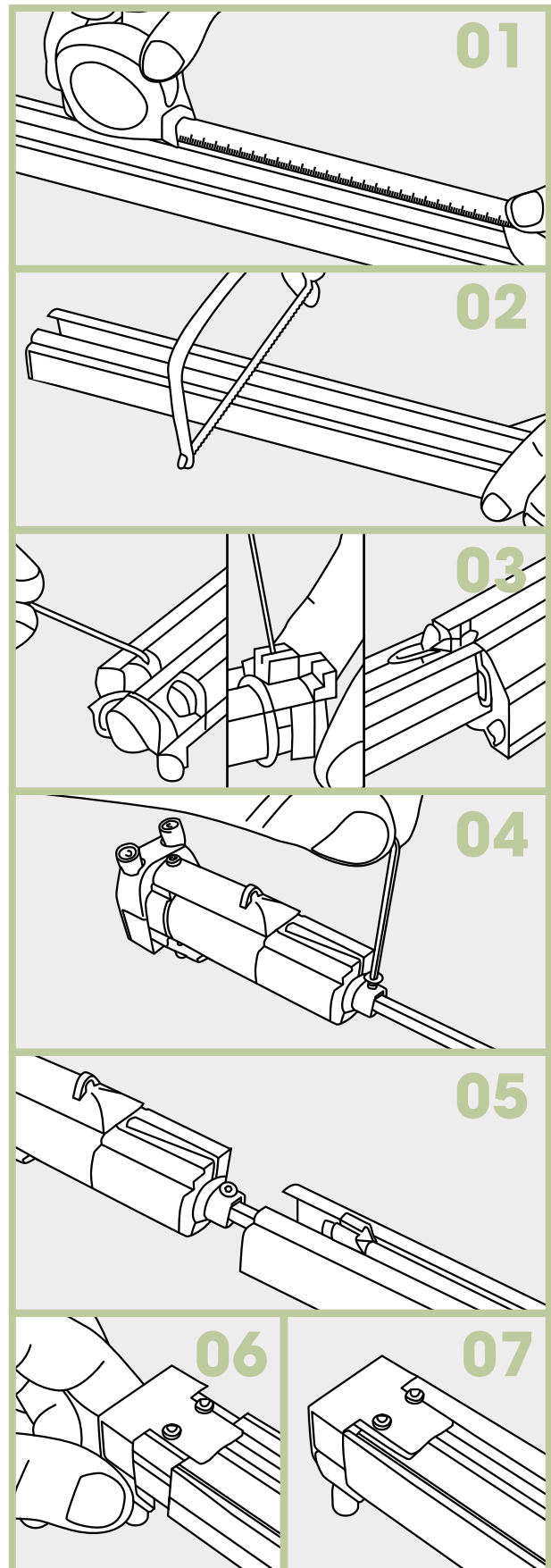
**03** Take each spool and ensuring each grey button is up, insert them into the headrail. Make sure that the cord guides on the first and last spool are facing outwards, this ensures your cord is as close to the end of the blind as possible.

**04** Attach the axle rod into the Dual Rise gear housing and tighten firmly using a T10 torx key.

**05** Insert the axle rod through each of the spools inside the headrail.

**06** Slightly undo the small screws on the top of the Dual Rise gear housing taking care to ensure it doesn't come out and push it inside the headrail.  
**NOTE:** once in about three quarters of the way turn the headrail over and lift up the small flap so it goes over the top of the headrail.

**07** Push the final section of the Dual Rise gear housing firmly in, ensuring it sits flush with the headrail.



**08** Using a T10 torx key tighten up both screws on the top side of the headrail as well as the single screw on the bridge.

**09** Cut two chains to the desired length, we recommend the front chain is 4cm shorter than the back to help differentiate between the two.

**10** Take a small pick tool and pull the clear ball chain connector from the inside of the white cord cover and attach your chains ensuring you fit the longer chain at the back depending on if you have fitted this on either the right or left hand side. This process is the same if you choose to fit a wand or chain. If fitting a wand skip to step 13, after step 10.

**11** Take your chosen cord pull and pass your chain through the small opening in the end. Then fit an **0908R** chain connector to the bottom of the chain, Repeat the process for the second chain.

**12** If necessary, adjust the position of the cord pulls by removing the cord connector and cutting off more chain so they sit in your chosen position.

**13** Position the spools where required and attach the cord to each spool ensuring that you fully press down on the grey button.

**14** Pass the cord through the cord guide.

You can now attach your blind to the headrail and continue to cord up the blind in your usual way.

