

# integra

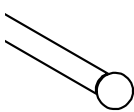
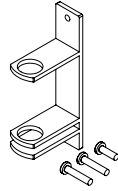
## Dormer Rod

### Fitting Instructions

Please read these instructions carefully and check the contents of the pack against the table below before attempting to assemble and install this product. Please ensure the correct wall plugs are used to suit your wall type, if unsure consult your local DIY store.

Should any component be missing, please call the Customer Care Department on 0330 005 2233.

Tools required: Pencil, measure, spirit level, drill, screwdriver, hacksaw and file (if cutting down).

		
<b>Length</b>	<b>Dormer Rod with Ball Finial</b>	<b>Bracket with Fixings</b>
110cm	1	1

### Safety Recommendation

Always use a step ladder when working at height.

DO NOT over reach. Always move the step ladder so that you are in a safe working position.

DO NOT hold or lean on the rod to support your weight.

We recommend you use two people for installation of a larger rods.

Take care when using power tools, use of a Residual Current Device (RCD) is recommended.

Always use eye protection when drilling. Beware of hidden pipe runs and cables.

No liability will be accepted for damage or injury caused by incorrectly installed or assembled product.

PLEASE KEEP OUT OF THE REACH OF YOUNG CHILDREN. SMALL PARTS - CHOKING HAZARD.  
PLEASE KEEP THESE INSTRUCTIONS AND THE BATCH CODE ON THE PACKAGING FOR FUTURE REFERENCE IN CASE OF ANY QUERIES.

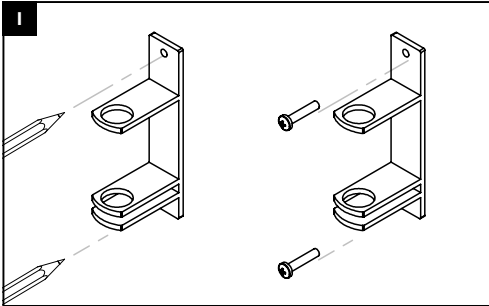
## Installing the brackets

Fitting to a door - fit the bracket to the same side as the door hinges in the corner of the frame, high enough to allow the door to open.

Fitting to a window - decide which direction you would like the dormer rod to open and fit the bracket to the top left or right hand corner of the frame.

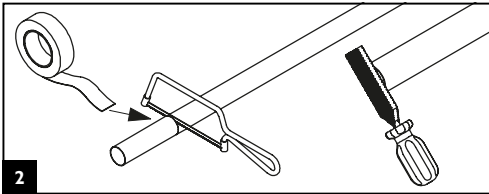
Make sure to leave a suitable gap to operate the door / window.

Use the bracket as a template to mark the position of the screws and secure the bracket into position. (fig. 1)



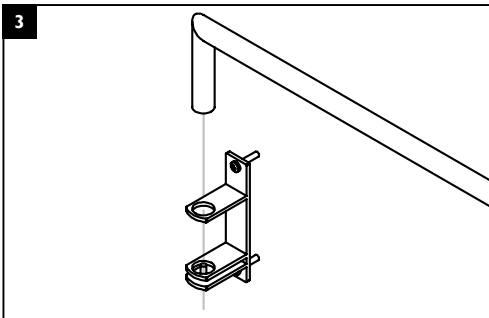
## Cutting down the rod

If cutting down the rod, remove the finial and when you are certain your measurements are correct, mark the pole. Wrap masking tape around the pole to avoid damage before cutting. File any sharp edges and replace the finial. (fig 2)

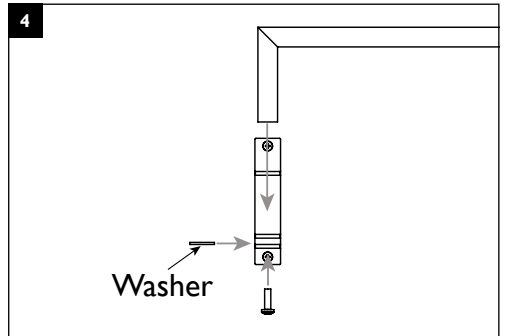


## Assembling the rod

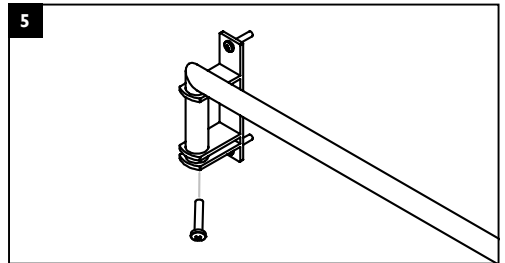
Insert the arm of the dormer rod into the bracket, ensuring it fits fully through the top and bottom holes. (fig. 3)



Place the washer in the bottom section of the bracket. (fig 4)



Using the screw provided secure the arm of the dormer rod into the bracket. Do not over tighten the screw as this will limit movement of the dormer rod. (fig 5)



Thread the curtain onto the pole, if using rings these are sold separately and can be used by removing the finial, sliding the required amount of rings onto the pole, we recommend 1 ring per 10cm, and replacing the finial.

