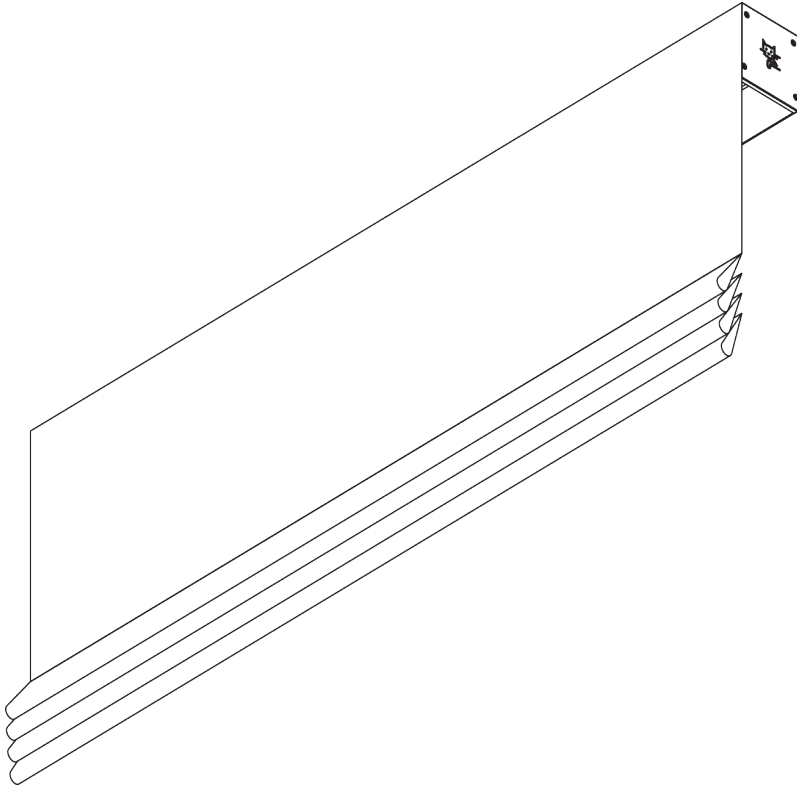
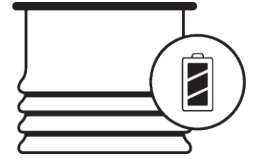


SG 2355



PRODUCT INFORMATION

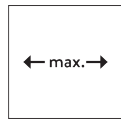
- **Operation:** motorised
- **Range:** S - M
- **Fitting:** ceiling, wall
- **Colours:** white RAL 9016, black 9005
- **Fabrics:** refer to Silent Gliss fabric collection

Features:

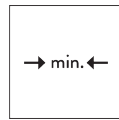
- Quiet motors
- Soft stop
- Various control options
- Enclosed headrail
- Fascia included

SYSTEM SPECIFICATIONS

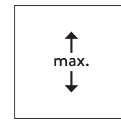
A. SYSTEM DIMENSIONS



3 m



65 cm



3 m



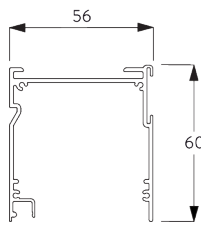
9 m²



4 kg

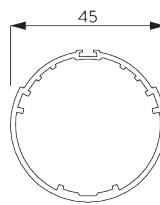
B. PROFILE

Profile information



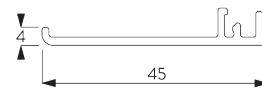
SG 2371

Head box 73 mm



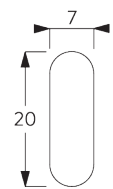
SG 2372

Tube ø 45 mm



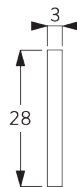
SG 11434

Box cover 73 mm



SG 2004

Bottom bar 20x7 mm



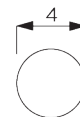
SG 2006

Bottom bar 28x3 mm



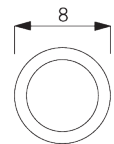
SG 2135

Rod steel ø 3 mm



SG 2137

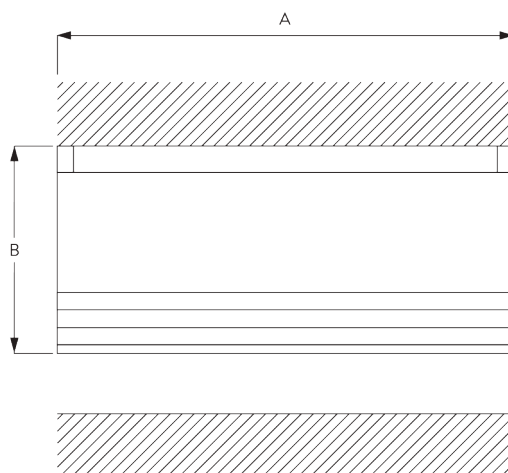
Rod fiberglass ø 4 mm



SG 2144

Profile ø 8 mm

C. HOW TO MEASURE



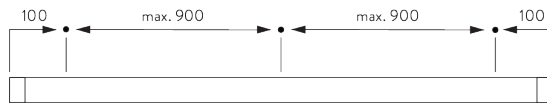
A: System width
B: System height

FITTING

A. FITTING INFORMATION

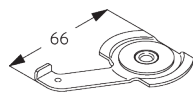
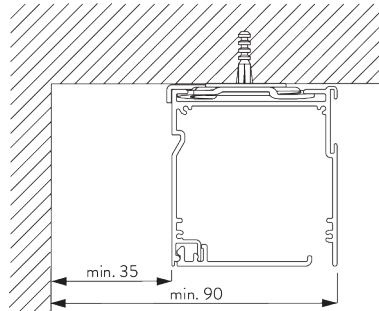
For detailed fitting information, visit the [Silent Gliss website](#).

Fixing points



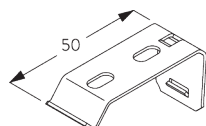
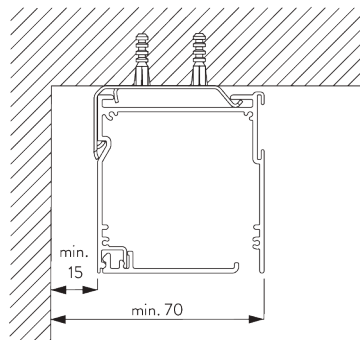
B. CEILING FITTING

Clamp SG 3003



SG 3003
Clamp

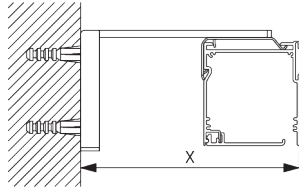
Bracket SG 2521



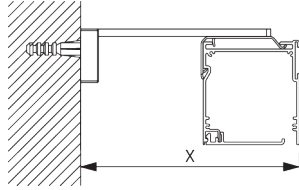
SG 2521
Bracket

C. WALL FITTING

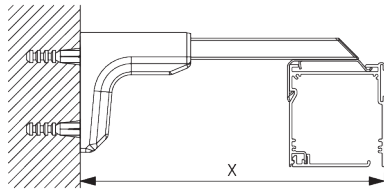
Smart Fix



Smart Fix SG 11200 - SG 11204 and bracket SG 2521:
Screw SG 10395 (M4x6) needed.

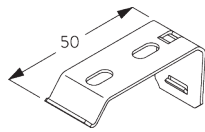


Square Smart Fix SG 11210 - SG 11214 and bracket SG 2521:
Screw SG 10395 (M4x6) needed.



Universal Smart Fix SG 11154 - SG 11156 and bracket SG 2521:
Screw SG 10492 (M4x8) needed.

| Smart Fix | X mm |
|---------------------|---------|
| SG 11200 / SG 11210 | 80-84 |
| SG 11201 / SG 11211 | 100-104 |
| SG 11202 / SG 11212 | 120-124 |
| SG 11203 / SG 11213 | 140-144 |
| SG 11204 / SG 11214 | 170-174 |
| SG 11154 | 134-162 |
| SG 11155 | 164-192 |
| SG 11156 | 214-242 |



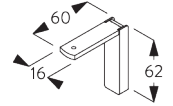
SG 2521
Bracket



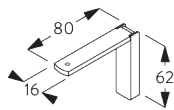
SG 10395
Pan head screw M4x6



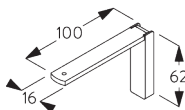
SG 10492
Pan head screw M4x8



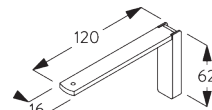
SG 11200
Smart Fix 60 mm



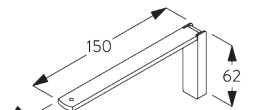
SG 11201
Smart Fix 80 mm



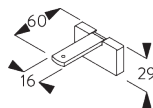
SG 11202
Smart Fix 100 mm



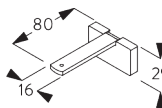
SG 11203
Smart Fix 120 mm



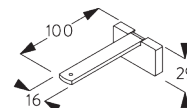
SG 11204
Smart Fix 150 mm



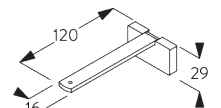
SG 11210
Square Smart Fix 60 mm



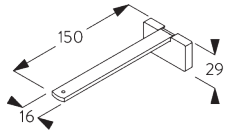
SG 11211
Square Smart Fix 80 mm



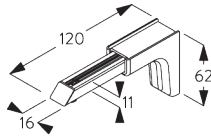
SG 11212
Square Smart Fix 100 mm



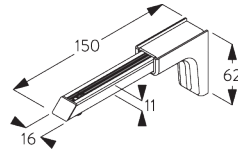
SG 11213
Square Smart Fix 120 mm



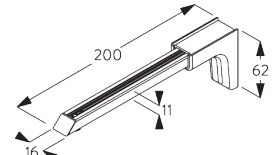
SG 11214
Square Smart Fix 150 mm



SG 11154
Universal Smart Fix 120 mm

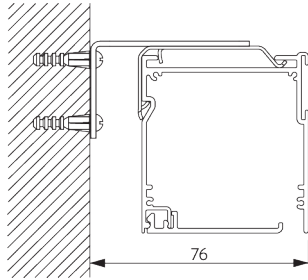


SG 11155
Universal Smart Fix 150 mm



SG 11156
Universal Smart Fix 200 mm

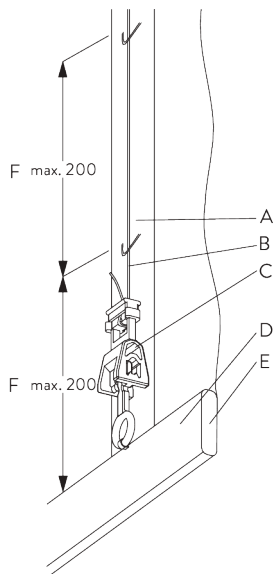
Bracket SG 2363



SG 2363
Bracket 68 mm

SYSTEM OPTIONS

A. FABRIC MAKE-UP



Type A (Standard)

Loop tape SG 3074:

A: Loop tape SG 3074 / SG 2164

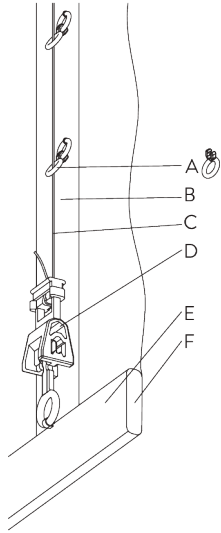
B: Cord SG 2216

C: Child safety hook set SG 3164

D: Hollow hem

E: Bottom bar SG 2004

F: Child safety: max. distance 200 mm



Type B

Ring tape SG 2164:

A: Child safety eyelet soft fold SG 3078

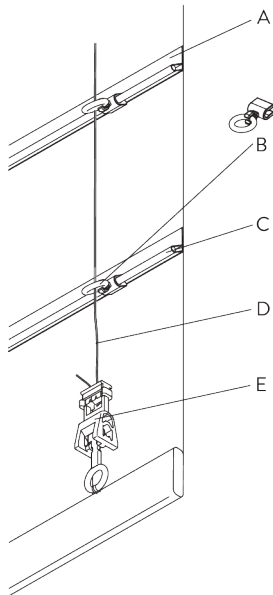
B: Ring tape SG 2164

C: Cord SG 2216

D: Child safety hook set SG 3164

E: Hollow hem

F: Bottom bar SG 2004



Type C

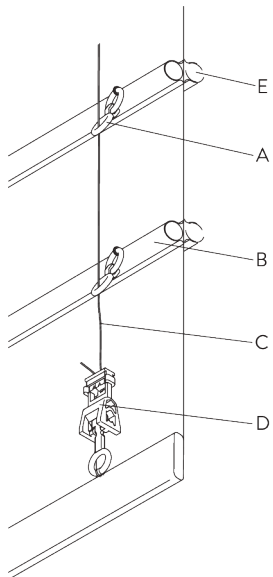
A: Tape SG 2136

B: Child safety eyelet hard fold SG 3069

C: Rod SG 2135

D: Cord SG 2216

E: Child safety hook set SG 3164



Type D

A: Child safety eyelet set SG 3161 / SG 3165

B: Tube SG 2144

C: Cord SG 2216

D: Child safety hook set SG 3164

E: Option: tube SG 2144 / SG 2137 can be installed to room side

MOTORS & CONTROLS

A. MOTOR FEATURES

| | |
|-------|----------|
| Motor | SG 11926 |
|-------|----------|

Motor Features

| | |
|--|-------|
| Soft start / stop | ● |
| Built-in receiver | ● |
| Electronic end-stop | ● |
| Electronic revolution counter (unlimited revolution) | ● |
| IP class | IP 30 |

Control Features

| | |
|----------------------------------|---|
| SG Control N (built-in receiver) | ● |
|----------------------------------|---|

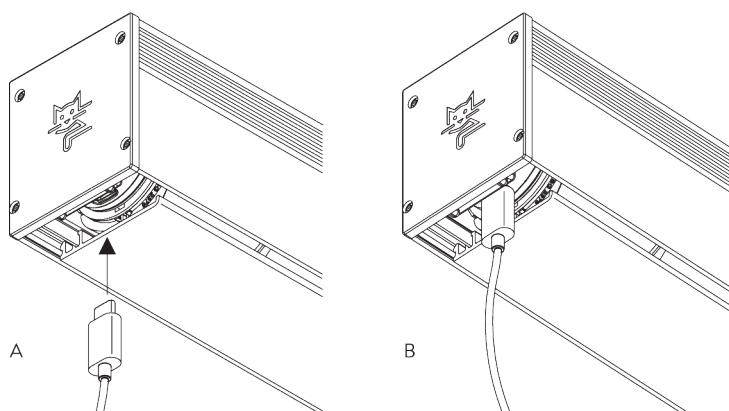
B. MOTOR SPECIFICATIONS

| Motor | Min. system width | Charging | Speed | Frequency receiver |
|----------|-------------------|----------|--------|--------------------|
| SG 11926 | 65 cm | USB-C | 28 rpm | 433 MHz |

Battery charging

A: Plug-in USB-C cable

B: Battery fully charged when light is green



C. OPERATING METHODS

See catalogue "controls" for details.

SG Control N



Various radio hand-held and wall transmitters available.



GENERAL NOTES

Dimensions

- Measurements are in mm except where indicated.
- Max. kg relates to fabric incl. accessories (bottom bars, cross rods, etc.).
- Stack size is typically 15-20% of system height.

Fitting



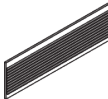
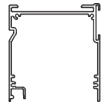
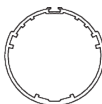
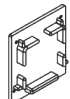

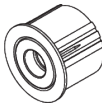





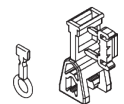
- Installation by qualified fitter only.
- Number of brackets and fitting positions / fixing points vary depending on fitting surface, system weight, fabric make-up, screw / fixing type and obstacles.
- Qualified fitter must use appropriate screws / fixings for each situation.
- Electrical installations must be carried out according to Silent Gliss wiring diagrams and conform to local regulations.
- Check space for cables and plugs!


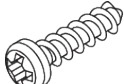
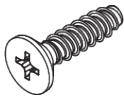
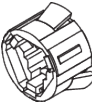

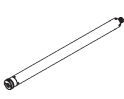
Child Safety

- All relevant Silent Gliss systems correspond to child safety EN 13120.
- All parties involved must comply with EN 13120.



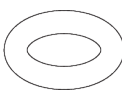
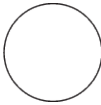
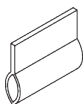
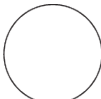
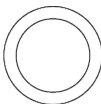

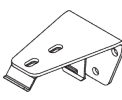
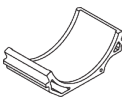

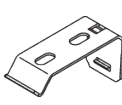
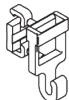

PARTS

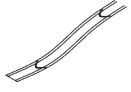
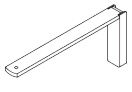
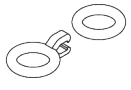
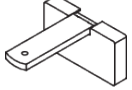
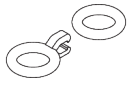
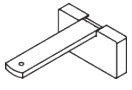

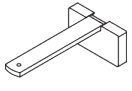
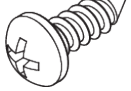
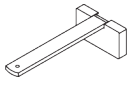

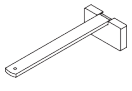

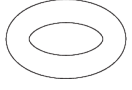
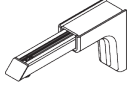

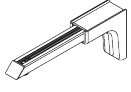
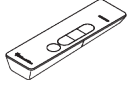
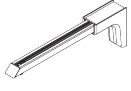
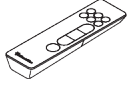
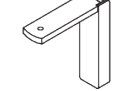

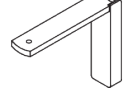
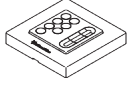
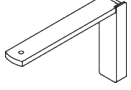
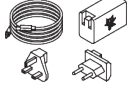
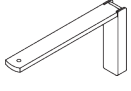
A. STANDARD PARTS

| | |
|--|---|
|  | SG 2004 Bottom bar 20x7 mm |
|  | SG 2216 Cord ø 0.85 mm |
|  | SG 2221 Velcro tape |
|  | SG 2371 Head box 73 mm |
|  | SG 2372 Tube ø 45 mm |
|  | SG 2373 End cover |
|  | SG 2374 End cover |
|  | SG 2375 Tube adapter ø 43 mm |
|  | SG 2376 Shell |
|  | SG 2377 Pin |
|  | SG 2381 Motor plate |
|  | SG 2539 Tape |
|  | SG 3003 Clamp |
|  | SG 3164 Child safety hook set |

| | |
|--|--|
|  | SG 10621 Tube adapter |
|  | SG 11185 Pan head screw 2.2x9.5 DIN 7981 C |
|  | SG 11324 PT Screw Countersunk KA35x14 |
|  | SG 11356 Motor drive 40/50-Series |
|  | SG 11434 Box cover 73 mm |
|  | SG 11926 Motor Battery S 2/28 |

B. OPTIONAL PARTS

| | |
|---|---|
|  | SG 2006 Bottom bar 28x3 mm |
|  | SG 2091 End cover |
|  | SG 2093 Ring |
|  | SG 2135 Rod steel ø 3 mm |
|  | SG 2136 Rod tape |
|  | SG 2137 Rod fiberglass ø 4 mm |
|  | SG 2144 Profile ø 8 mm |
|  | SG 2164 Ring tape |
|  | SG 2363 Bracket 68 mm |
|  | SG 2378 Support |
|  | SG 2379 Sleeve |
|  | SG 2521 Bracket |
|  | SG 3055 Hook |
|  | SG 3069 Child safety eyelet |

| | | | |
|---|---|---|---|
|  | SG 3074 Loop tape |  | SG 11204 Smart Fix 150 mm |
|  | SG 3161 Child safety eyelet set |  | SG 11210 Square Smart Fix 60 mm |
|  | SG 3165 Child safety eyelet set |  | SG 11211 Square Smart Fix 80 mm |
|  | SG 3166 Child safety tape set |  | SG 11212 Square Smart Fix 100 mm |
|  | SG 10149 Pan head screw 2.2x6.5 |  | SG 11213 Square Smart Fix 120 mm |
|  | SG 10395 Pan head screw M4x6 |  | SG 11214 Square Smart Fix 150 mm |
|  | SG 10492 Pan head screw M4x8 |  | SG 11482 Ring |
|  | SG 11154 Universal Smart Fix 120 mm |  | SG 11900 Move Server |
|  | SG 11155 Universal Smart Fix 150 mm |  | SG 11931 Radio hand held 1 channel |
|  | SG 11156 Universal Smart Fix 200 mm |  | SG 11932 Radio hand held 6 channel |
|  | SG 11200 Smart Fix 60 mm |  | SG 11936 Radio wall transmitter 1 channel |
|  | SG 11201 Smart Fix 80 mm |  | SG 11937 Radio wall transmitter 6 channel |
|  | SG 11202 Smart Fix 100 mm |  | SG 11951 Charger USB-C |
|  | SG 11203 Smart Fix 120 mm | | |

