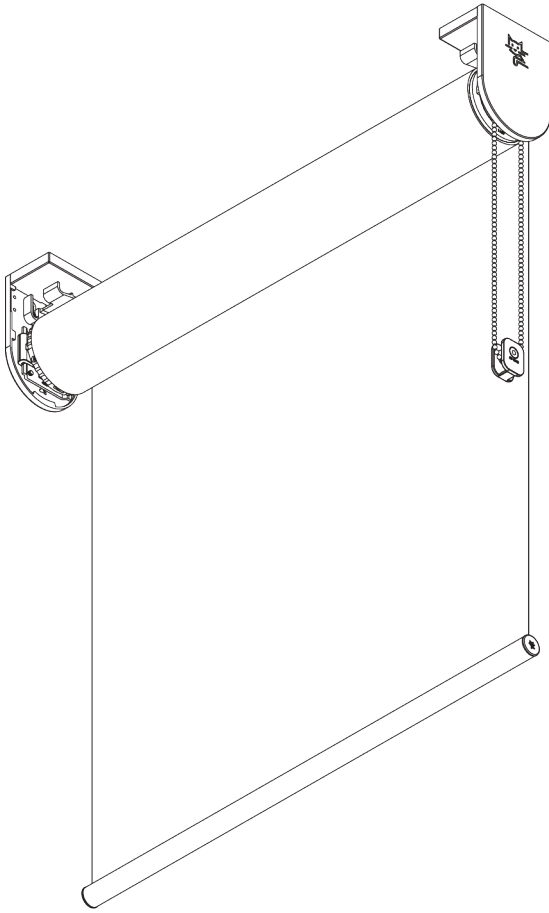


SG 4940



PRODUCT INFORMATION

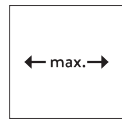
- **Operation:** chain
- **Range:** L
- **Fitting:** ceiling, wall, recess
- **Colours:** white RAL 9016, grey RAL 7035, black RAL 9005; special colours possible
- **Fabrics:** refer to Silent Gliss fabric collection

Features:

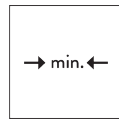
- Stainless steel bead chain
- Stainless steel brackets, adjustable for vertical alignment of fabric

SYSTEM SPECIFICATIONS

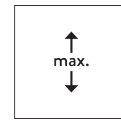
A. SYSTEM DIMENSIONS



4 m



50 cm



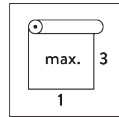
6 m



15 m²



12.5 kg

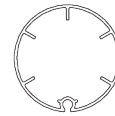


Recommended width /
height ratio
max. 1:3

Maximum surface area

		A →				
		2 m	2.5 m	3 m	3.5 m	4 m
B ↓	2 m	●	●	●	●	●
	2.5 m	●	●	●	●	●
	3 m	●	●	●	●	●
	3.5 m	●	●	●	●	●
	4 m	●	●	●	●	
	4.5 m	●	●	●		
	5 m	●	●	●		
	5.5 m	●	●			
	6 m	●	●			

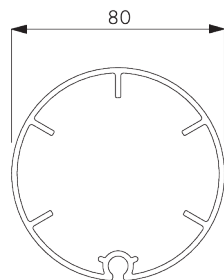
max. 15 m²



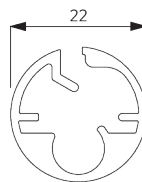
● SG 4929 (ø 80 mm)

B. PROFILE

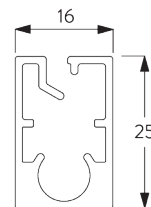
Profile information



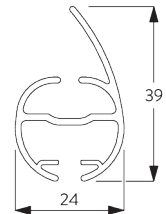
SG 4929
Tube ø 80 mm



SG 10760
Bottom bar



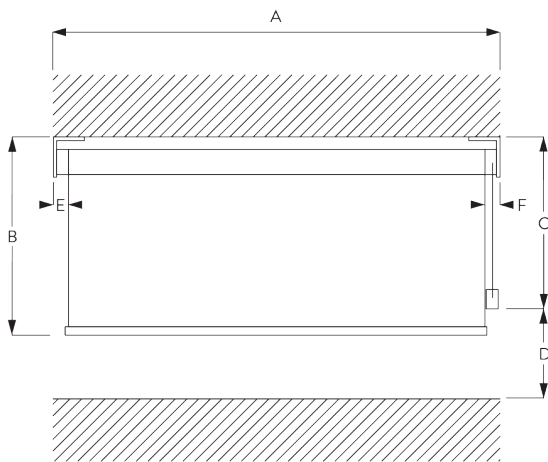
SG 10770
Bottom bar



SG 4903
Bottom bar

C. HOW TO MEASURE

incl. bracket covers



- A: System width
- B: System height
- C: Chain height
- D: Safety Retainer SG 10731 min. 150 cm above floor
- E: Light gap: 33 mm
- F: Light gap operation side: 27 mm

Note:
All measurements include 3 mm for bracket cover per side!

FITTING

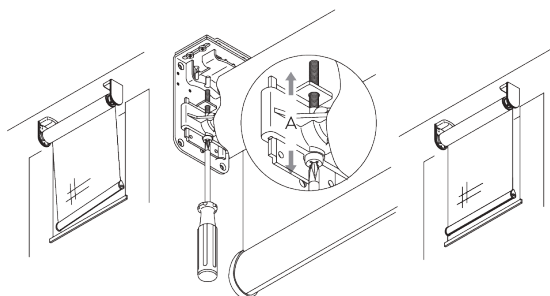
A. FITTING INFORMATION

For detailed fitting information, visit the [Silent Gliss website](#).

Fixing points

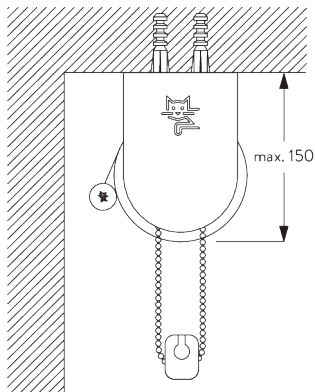


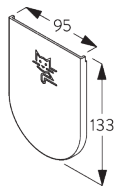
Adjustable brackets (for vertical adjustments)



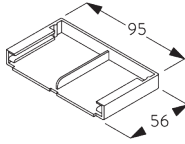
Vertical adjustment of fabric to the window frame.

B. CEILING FITTING

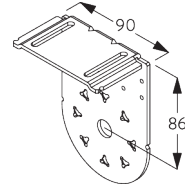




SG 4984
End cover

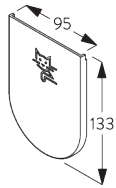
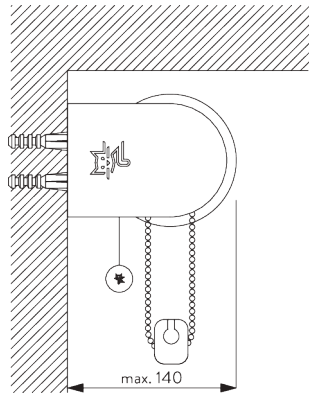


SG 4986
End cover

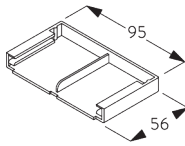


SG 4988
Bracket

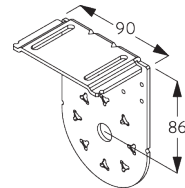
C. WALL FITTING



SG 4984
End cover

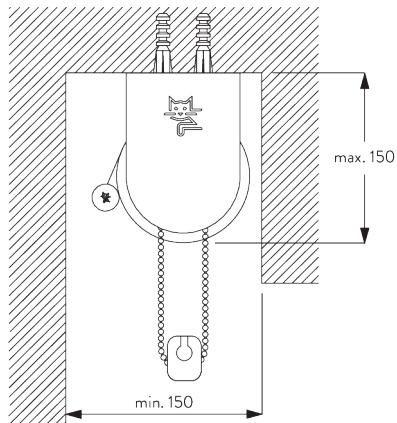


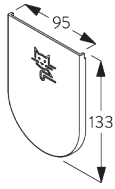
SG 4986
End cover



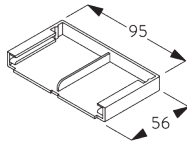
SG 4988
Bracket

D. RECESS FITTING

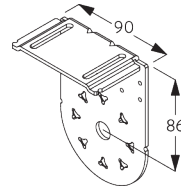




SG 4984
End cover

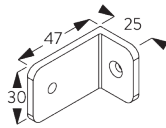
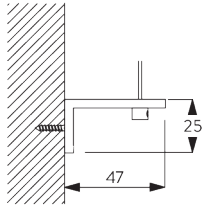


SG 4986
End cover

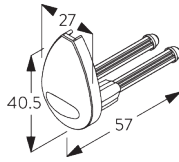


SG 4988
Bracket

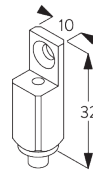
**E. FITTING WITH
SIDE GUIDE
OPTION**



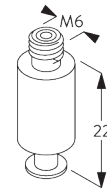
SG 3036
Bracket 47 mm



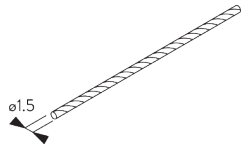
SG 4944
Side guide end cover



SG 4946
Side guide wire rope fastener



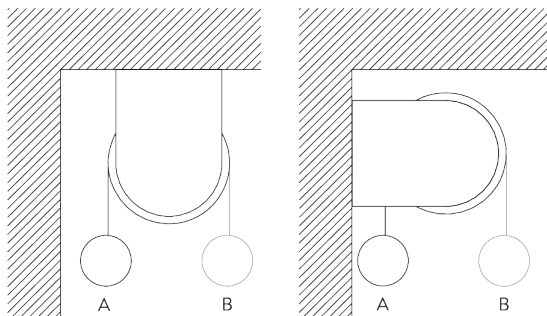
SG 4947
Side guide wire rope fastener



SG 4948
Side guide wire ϕ 1.5 mm

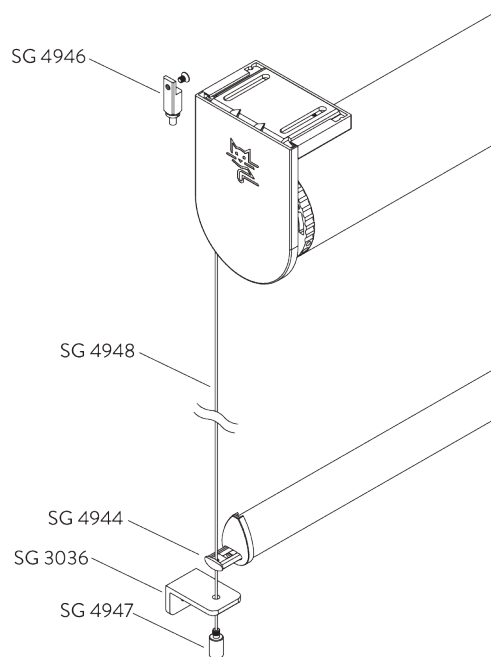
SYSTEM OPTIONS

A. FABRIC ROLL-OFF



A: Fabric roll-off window side (standard)
B: Fabric roll-off room side (option)

B. SIDE GUIDES



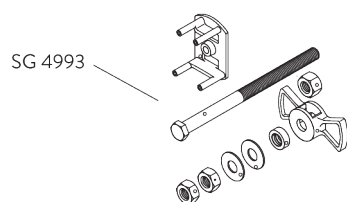
Additional parts:

- 2x SG 3036 Bracket 47 mm
- 2x SG 4944 Side guide end cover
- 2x SG 4946 Side guide wire rope fastener
- 2x SG 4947 Side guide wire rope fastener
- 2x SG 4948 Side guide wire \varnothing 1.5 mm

Note:

- Up to 15° from vertical

C. ADJUSTABLE END STOP



GENERAL NOTES

Dimensions

- Measurements are in mm except where indicated.
- Max. kg relates to fabric incl. accessories (bottom bars, etc.).

Fitting

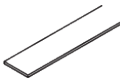
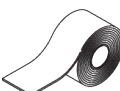

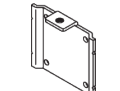
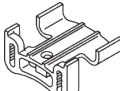
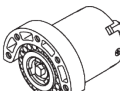

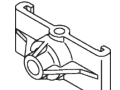

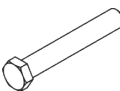
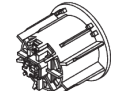


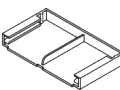
- Installation by qualified fitter only.
- Number of brackets and fitting positions / fixing points vary depending on fitting surface, system weight, fabric make-up, screw / fixing type and obstacles.
- Qualified fitter must use appropriate screws / fixings for each situation.
- Profile lip if applicable to be installed to room side.
- Electrical installations must be carried out according to Silent Gliss wiring diagrams and conform to local regulations.
- Check space for cables and plugs!



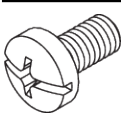
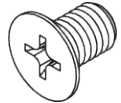



Child Safety

- All relevant Silent Gliss systems correspond to child safety EN 13120.
- All parties involved must comply with EN 13120.

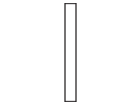
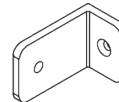

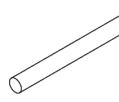
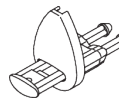
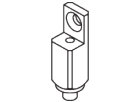


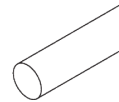
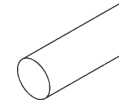
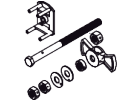
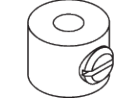
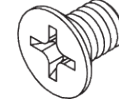
PARTS

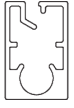
A. STANDARD PARTS

	SG 4223 PVC strip 14 mm
	SG 4226 Double tape 30 mm
	SG 4845 Bead chain metal ø 4.5 mm
	SG 4906 Plate (set SG 4949)
	SG 4908 End stop
	SG 4909 Chain drive
	SG 4914 Tube adapter
	SG 4915 Support
	SG 4929 Tube ø 80 mm
	SG 4939 Shaft
	SG 4982 Tube adapter
	SG 4983 Countersunk head screw 5x16 Remform
	SG 4984 End cover
	SG 4986 End cover

	SG 4988 Bracket
	SG 6951 Pan head screw coated M6x70
	SG 10505 Pan head screw Freedrive M4x8
	SG 10509 Countersunk head screw M5x8
	SG 10731 Child safety retainer set
	SG 10760 Bottom bar
	SG 10761 End cover

B. OPTIONAL PARTS

	SG 2006 Bottom bar 28x3 mm
	SG 3036 Bracket 47 mm
	SG 4752 Bottom bar plastic
	SG 4903 Bottom bar
	SG 4943 Rod ø 4 mm
	SG 4944 Side guide end cover
	SG 4946 Side guide wire rope fastener
	SG 4947 Side guide wire rope fastener
	SG 4948 Side guide wire ø 1.5 mm
	SG 4951 Bottom weight ø 8 mm
	SG 4963 Rod ø 6 mm
	SG 4993 End stop set
	SG 8249 Side guide device
	SG 10502 Countersunk head screw M4x6



SG 10770

Bottom bar



SG 10771

End cover



SG 11178

End cover
